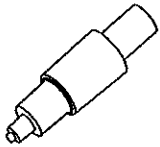
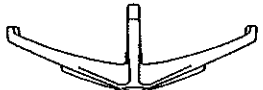
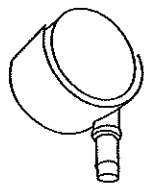
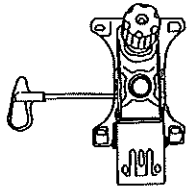
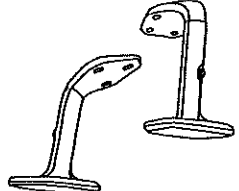
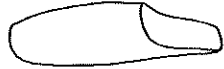

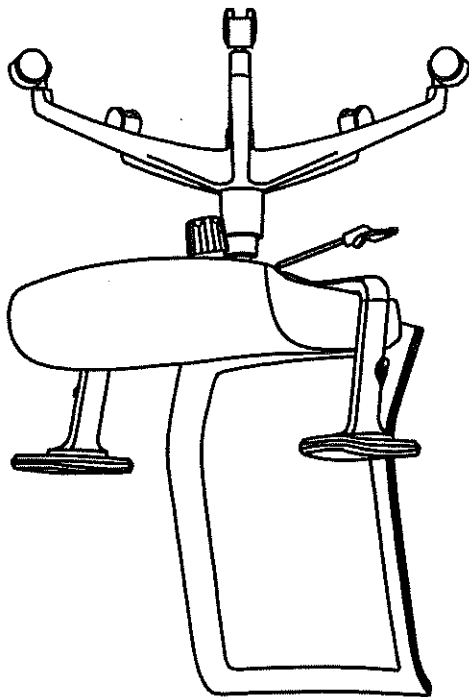


<p>(A) X4 M6*22 MECHANISM SCREW</p> <p>(B) X6 M6*30 ARM SCREW</p> <p>(C) X3 M8*36 L-BAR SCREW</p>		<p>Gas Lift</p>  <p>(6) x1</p>	<p>Base</p>  <p>(5) x1</p>
	<p>Casters</p>  <p>(7) x5</p>	<p>Mechanism</p>  <p>(4) x1</p>	<p>Right & Left Arm</p>  <p>(3) x1 L/R</p>
		<p>Seal</p>  <p>(2) x1</p>	<p>Back</p>  <p>(1) x1</p>



6560

6560



Insert and loosely tighten all screws. When assembly is completed, fully tighten all screws before using. This chair is only intended for sitting. Any other use will void the warranty.

