

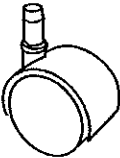
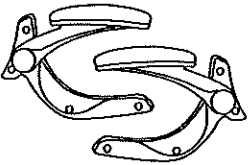
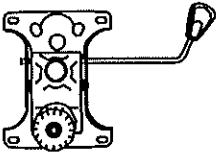




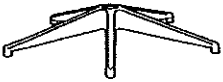
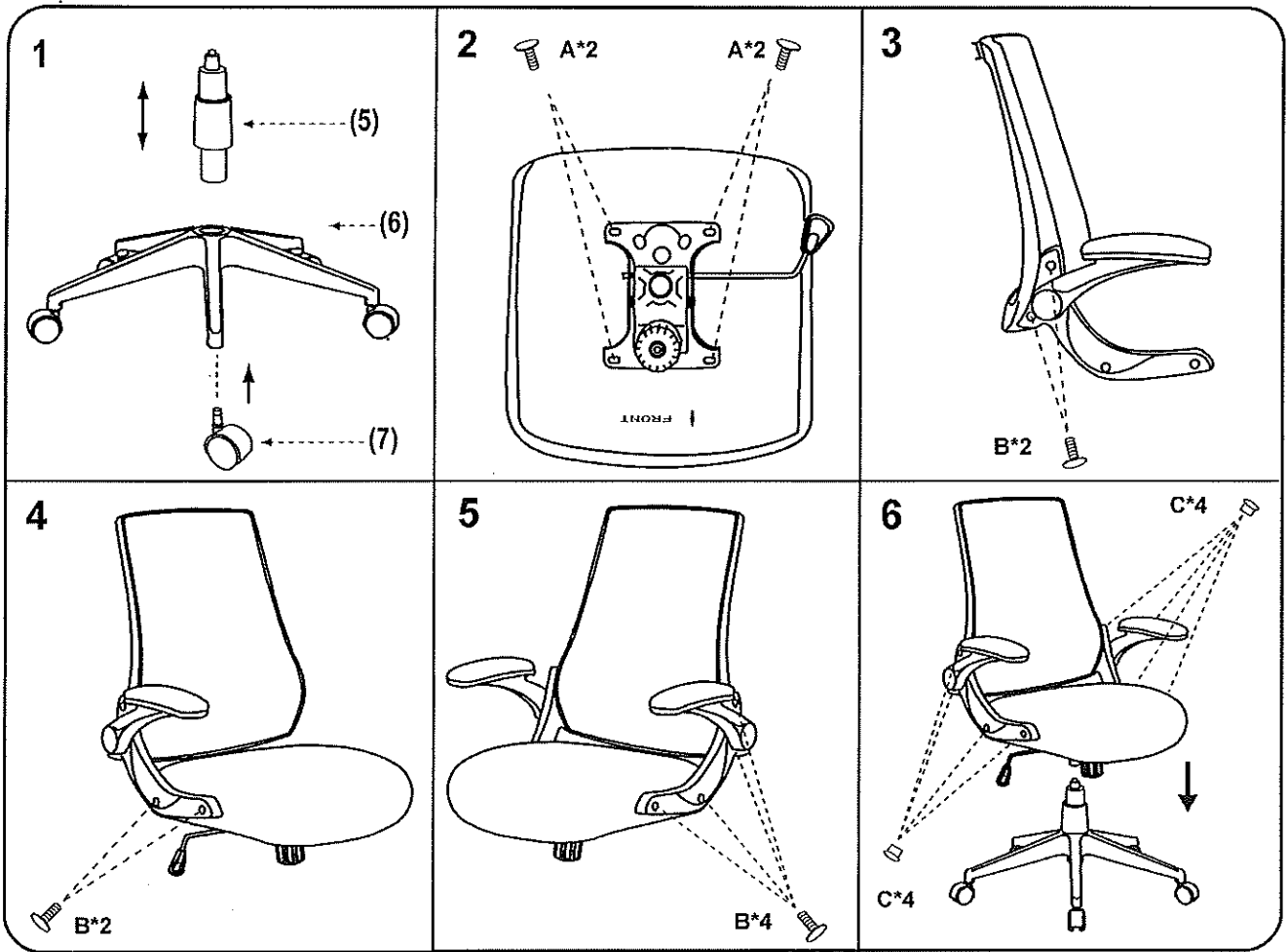


6780



6780

<p>(1)x1</p>  <p>Back</p>	<p>(2)x1</p>  <p>Seat</p>	<p>(7)x5</p>  <p>Casters</p>	
<p>(3)x1 L/R</p>  <p>Right & Left Arm</p>	<p>(4)x1</p>  <p>Mechanism</p>	<p>(A)*4  M6*22 Mechanism Screw</p> <p>(B)*8  M6*22 Arm Screw</p> <p>(C)*8  Arm Cap</p>	
<p>(5)x1</p>  <p>Gas Lift</p>	<p>(6)x1</p>  <p>Base</p>		



Insert and loosely tighten all screws. When assembly is completed, fully tighten all screws before using. This chair is only intended for sitting. Any other use will void the warranty.