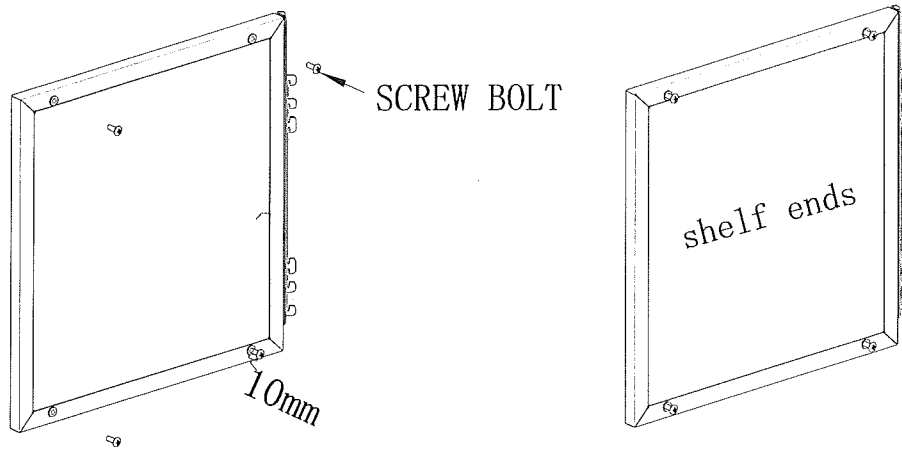
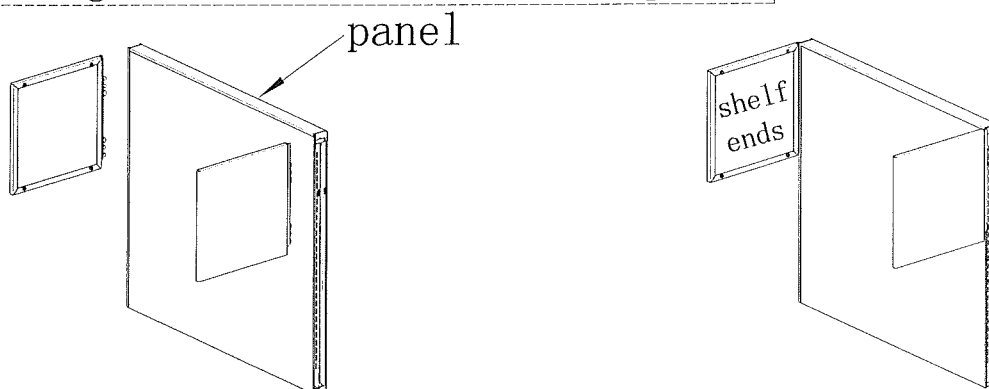


HDOOR INSTRUCTION

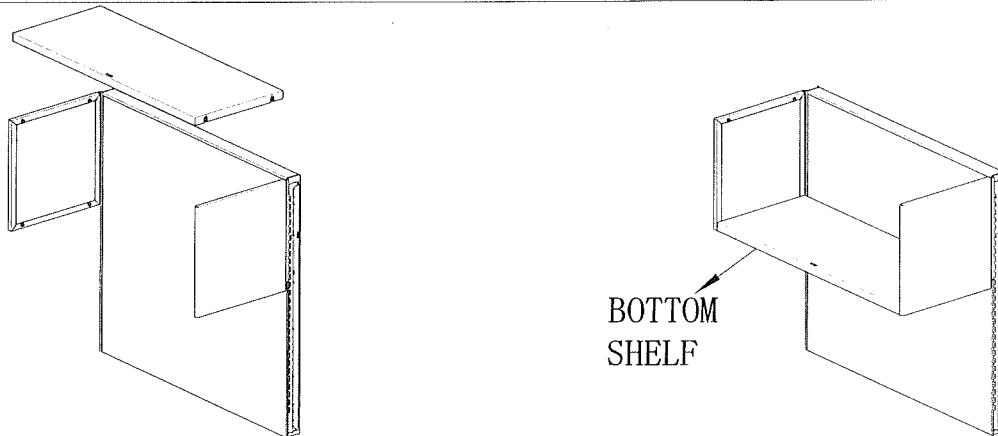
Step 1: Install 8 screw bolts, Don't tighten them, Leave thread about 10 mm



Step 2: Hang the shelf ends on the panel



Step 3: Put the bottom shelf between the shelf ends



Step 3: Install the door and top shelf together with tapping screws, and then, put it between the shelf ends, finally, tighten all the 8 screw bolts.

