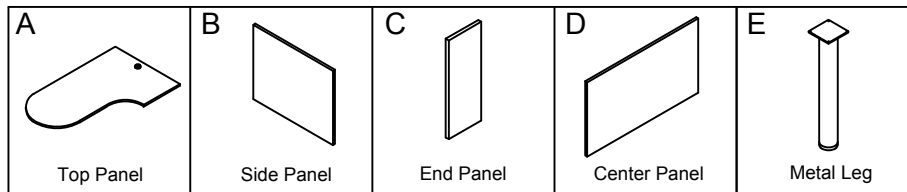
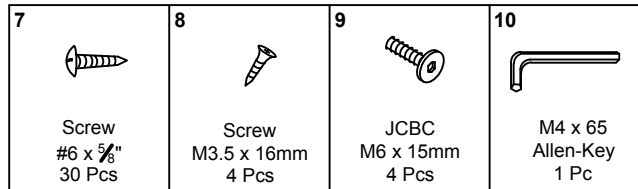
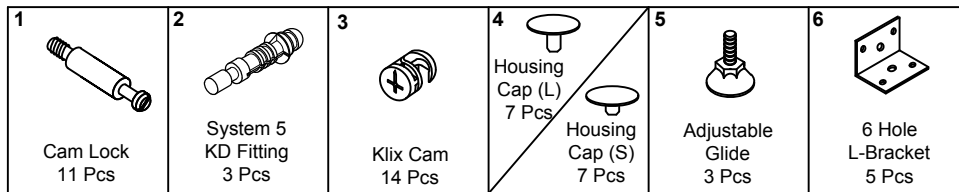
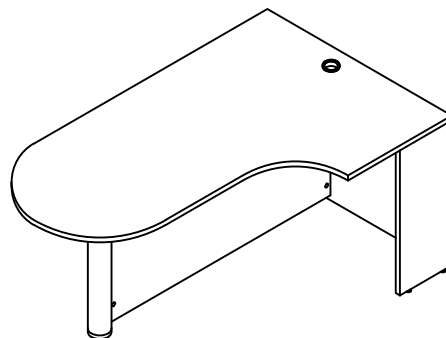
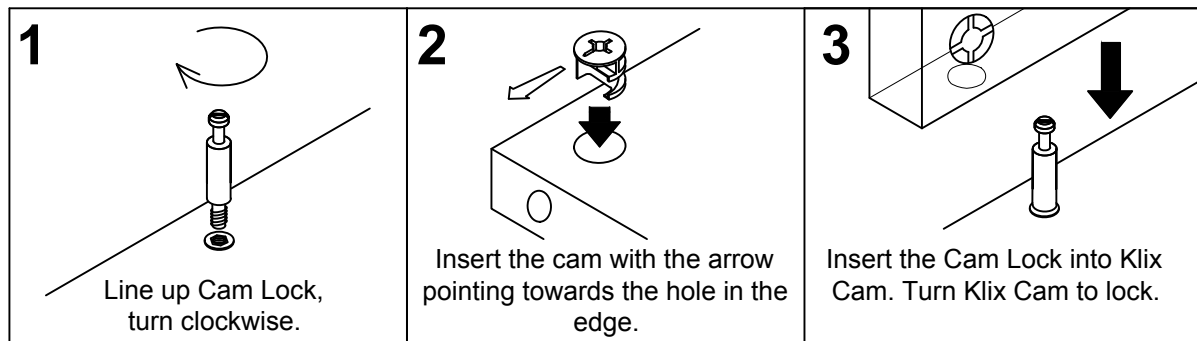


Thank you for purchasing the Performance Porkchop Bullet.
Please follow these instructions for easy assembly.



KLIX CAM INSTRUCTIONS



IMPORTANT NOTE :

- Place all wooden parts on a clean and smooth surface such as a rug or carpet to avoid the parts from being scratched.
- Check to be sure that you have all parts and hardware.
- Remove all wrapping materials, including staples & packing straps before you start to assemble.
- Do not tighten all screws/bolts until all completely assembled.
- Keep all hardware parts out of reach of children.

