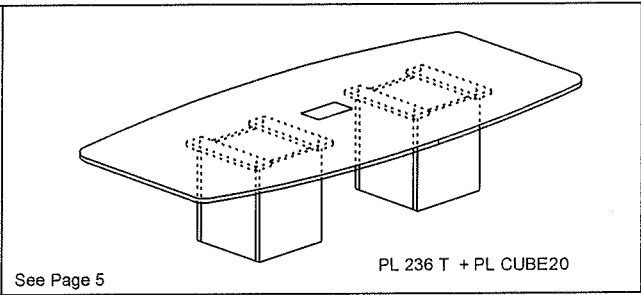
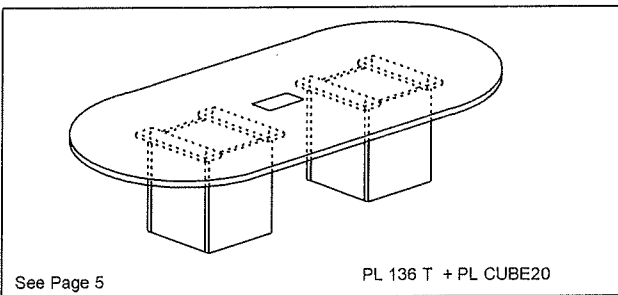
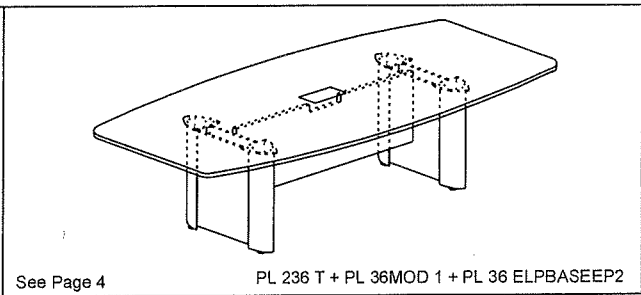
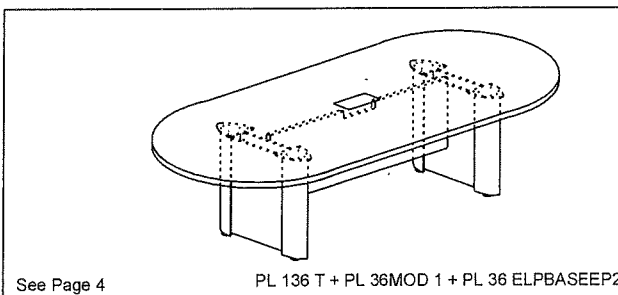
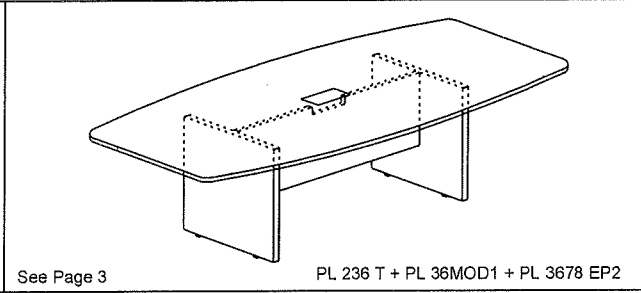
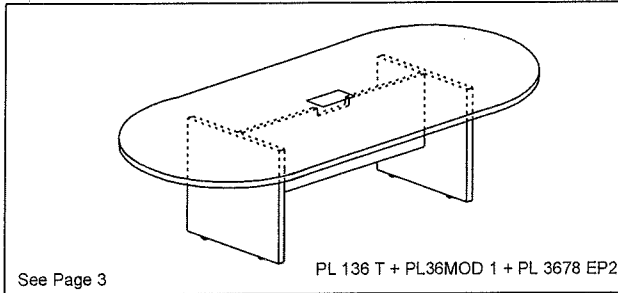
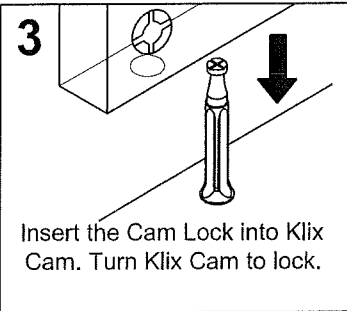
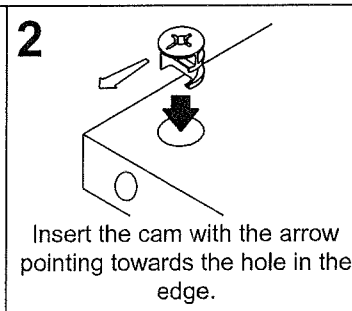
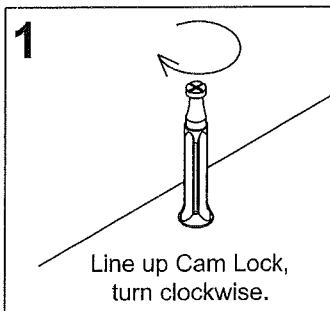


RACE TRACK/BOAT SHAPE CONFERENCE TABLE

Thank you for purchasing the Performance Race Track / Boat Shape Conference Table.
 Please follow these instructions for easy assembly.



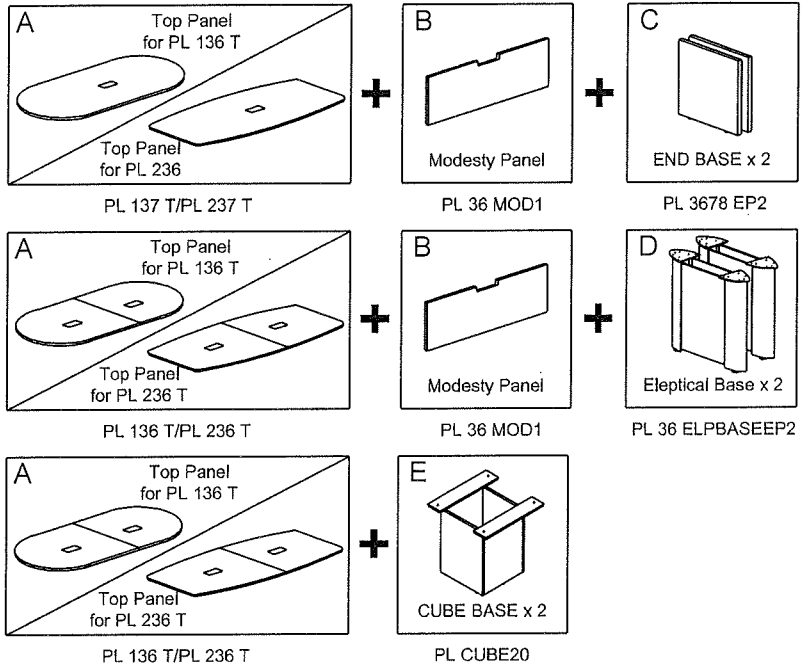
KLIX CAM INSTRUCTIONS



IMPORTANT NOTE :

- Place all wooden parts on a clean and smooth surface such as a rug or carpet to avoid the parts from being scratched.
- Check to be sure that you have all parts and hardware.
- Remove all wrapping materials, including staples & packing straps before you start to assemble.
- Do not tighten all screws/bolts until all completely assembled.
- Keep all hardware parts out of reach of children.

RACE TRACK/BOAT SHAPE CONFERENCE TABLE



HARDWARE PACK PL 136 T/PL 236 T	
A1 6 Hole L-Bracket 4 Pcs	A2 Screw #6 x 5/8" 24 Pcs

HARDWARE PACK PL 3678 EP2							
C1 Cam Lock 10 Pcs	C2 Klix Cam 10 Pcs	C3 Housing Cap (Long) 6 Pcs	C4 Housing Cap (Short) 4 Pcs	C5 Adjustable Glide 4 Pcs	C6 6 Hole L-Bracket 4 Pcs	C7 Screw #6 x 5/8" 24 Pcs	C8 M4 x 65 Allen-Key 1 Pc

HARDWARE PACK PL 36 ELPBASEEP2							
D1 Cam Lock 6 Pcs	D2 Klix Cam 6 Pcs	D3 Housing Cap (Long) 6 Pcs	D4 Adjustable Glide 4 Pcs	D5 6 Hole L-Bracket 4 Pcs	D6 Screw #6 x 5/8" 24 Pcs	D7 M4 x 65 Allen-Key 1 Pc	D8 CSK Scw M3.5 x 20MM 16 Pcs

HARDWARE PACK PL CUBE20					
E1 Cam Lock 16 Pcs	E2 Klix Cam 16 Pcs	E3 Housing Cap (Long) 16 Pcs	E4 JCBC Screw M6 x 40mm = 4pcs Washer = 4pcs	E5 Adjustable Glide 6 Pcs	E6 M4 x 65 Allen-Key 1 Pc

1

Attach the two End Base (C) to Modesty Panel (B) by using Cam Lock (C1) and Klix Cam (C2).

2

Attach the L-Bracket (A1/C6) to End Base (C) and Modesty Panel (B) as shown. Tighten Screws (A2/C7) securely.

Attach the body to Top Panel (A) by using Cam Lock (C1) and Klix Cam (C2).

3

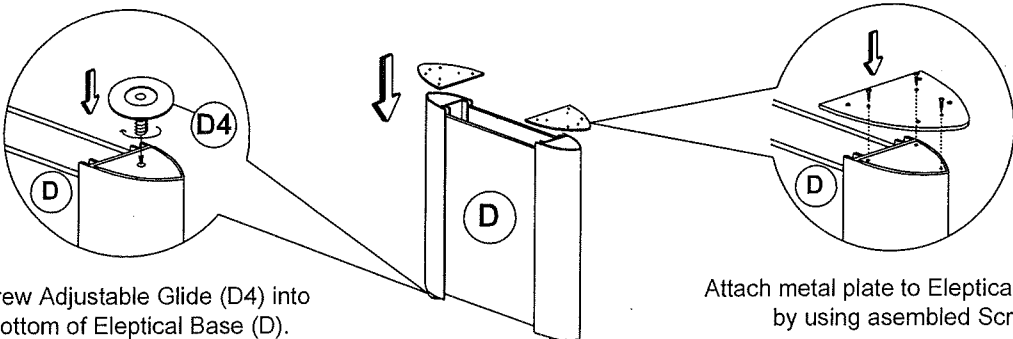
Screw Adjustable Glide (C5) into bottom of End Base (C).

4

Attach Housing Cap (A3/C3/C4) to all Klix Cam (A2/C2) by pushing neck through center of cam.

RACE TRACK/BOAT SHAPE CONFERENCE TABLE

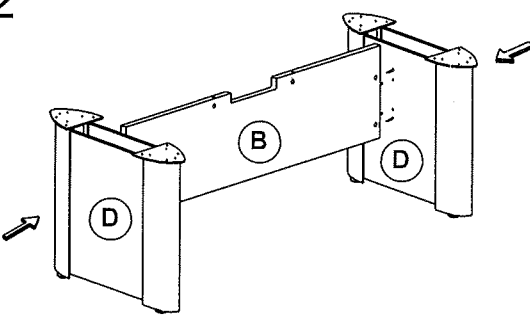
1



Screw Adjustable Glide (D4) into bottom of Eleptical Base (D).

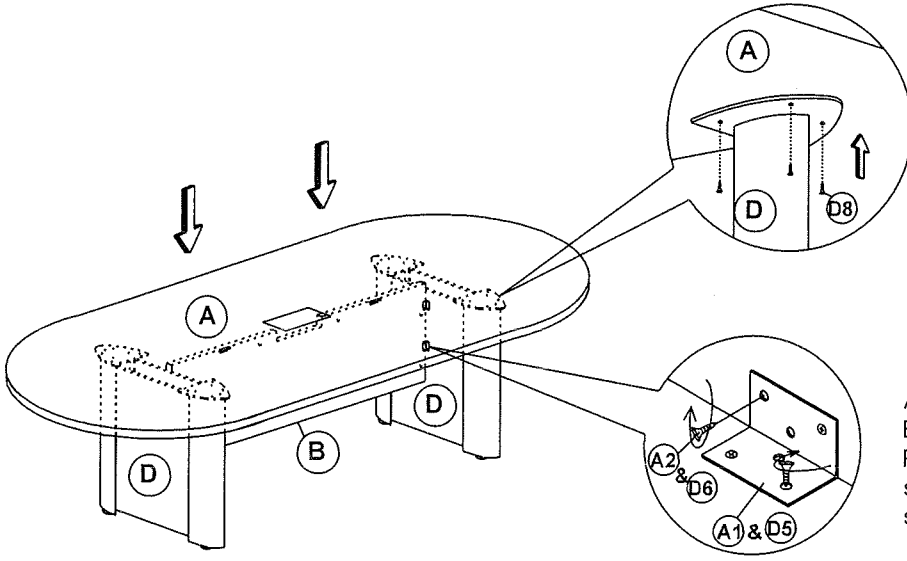
Attach metal plate to Eleptical Base (D) by using assembled Screw.

2



Attach 2 Pcs Eleptical Base (D) to Modesty Panel (B) by using Cam Lock (D1) and Klix Cam (D2).

3

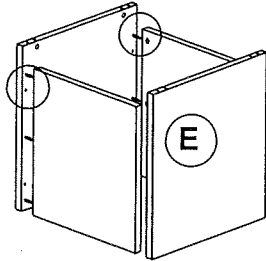


Attach Top Panel (A) to Modesty Panel (B) by using Cam Lock (D1) and Klix Cam (D2).

Attach Eleptical Base (D) to Top Panel (A) by using Screw (D8).

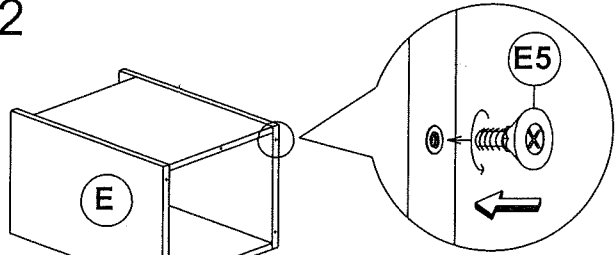
Attach the L-Bracket (A1/D5) to Eleptical Base (D) and Modesty Panel (B) and Top Panel (A) as shown. Tighten Screws (A2/D6) securely.

1



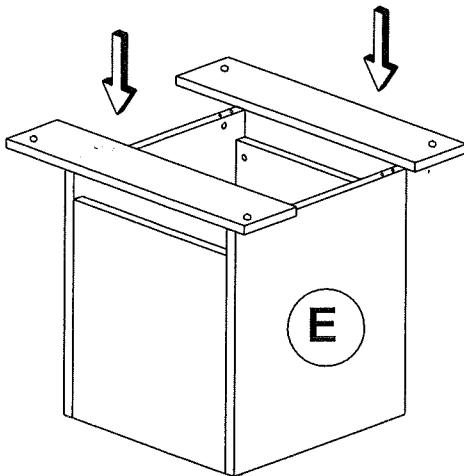
Attach Cube Base (E) by using Cam Lock (E1) and Klix Cam (E2).

2



Screw Adjustable Glide (E5) into bottom of End Base (E).

3



Attach Cube Base Support (E) by using Cam Lock (E1) and Klix Cam (E2).

5

Attach Top Panel (A) to Cube Base (E) by using JCBC Screw (E4) and tighten with Allen Key (E6).

