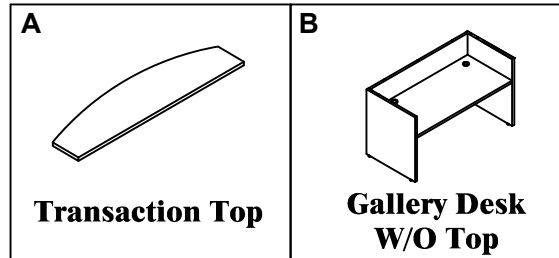
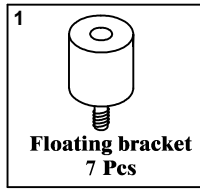
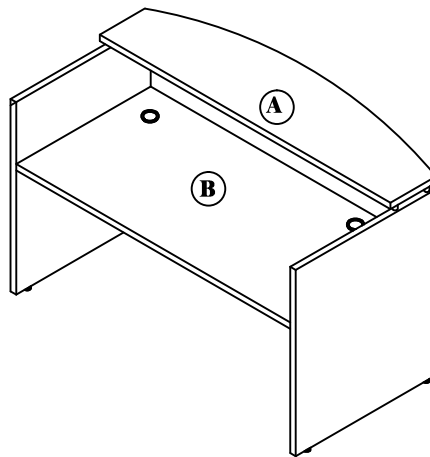
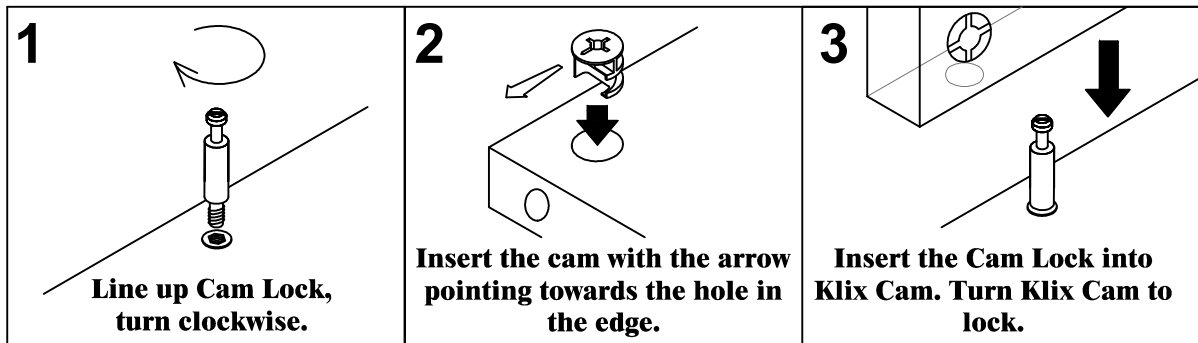


**COMPONENTS**



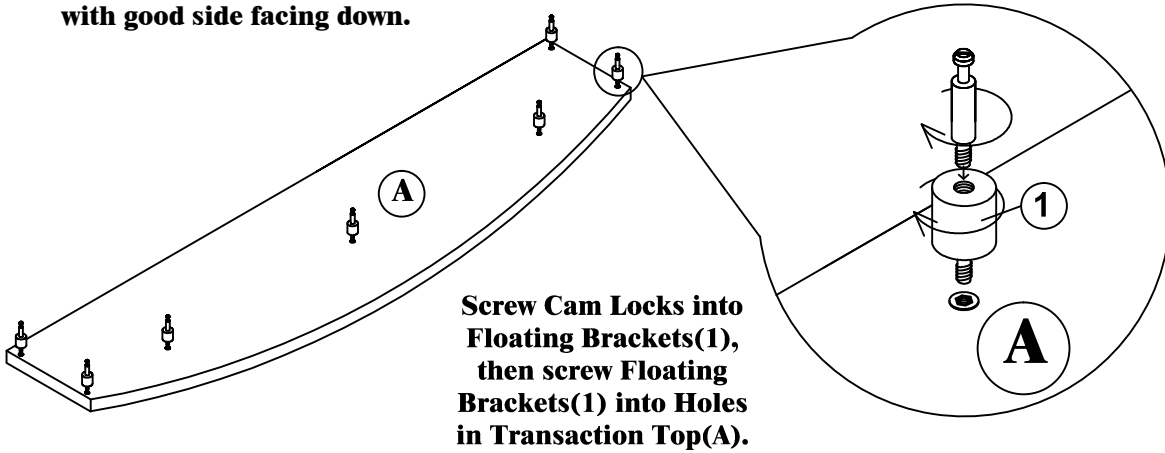
**KLIX CAM INSTRUCTIONS**



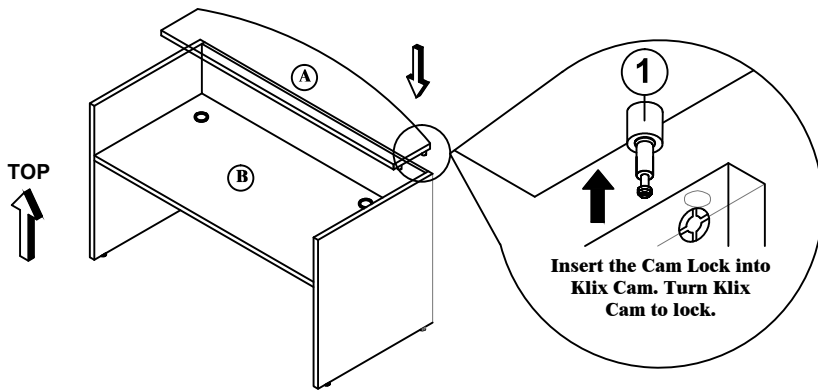
**IMPORTANT :**

- Place all wooden parts on a clean, smooth surface to prevent the parts from being scratched.
- Check that you have all parts and hardware.
- Remove all wrapping materials, including staples & packing straps before you start to assemble.
- Do not tighten screws or bolts until the unit is completely assembled.
- Keep all hardware parts out of reach of children.

**1** Lay transaction top on work surface with good side facing down.

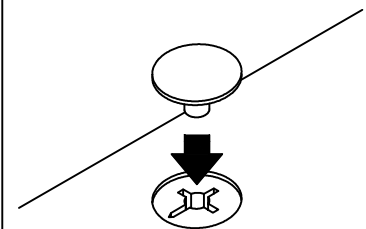


**2**



**Attach Transaction Top(A) to Desk(B) by using Cam Locks and Klix Cams.**

**3**



**Attach Housing Cap to all Klix Cams by pushing neck of cap through center of cam.**