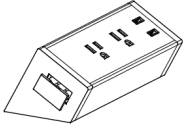
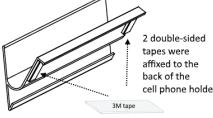
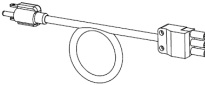


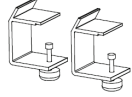

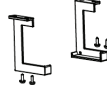
ASSEMBLY INSTRUCTIONS

MODEL: PLDTPM2U2EG

Before assembly, please remove all parts from the carton, verifying that you have the correct quantities, and read all the instructions.

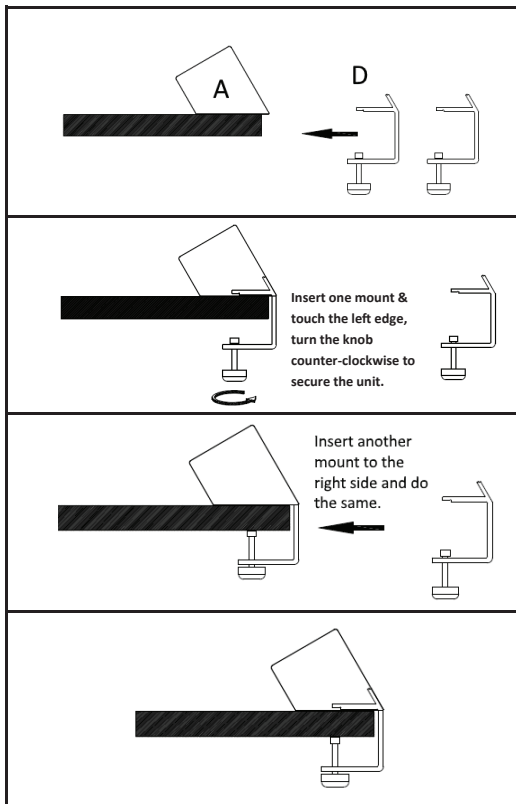
IN THE CARTON:

A		x1
B	 2 double-sided tapes were affixed to the back of the cell phone holder 3M tape	x1 set
C		x1

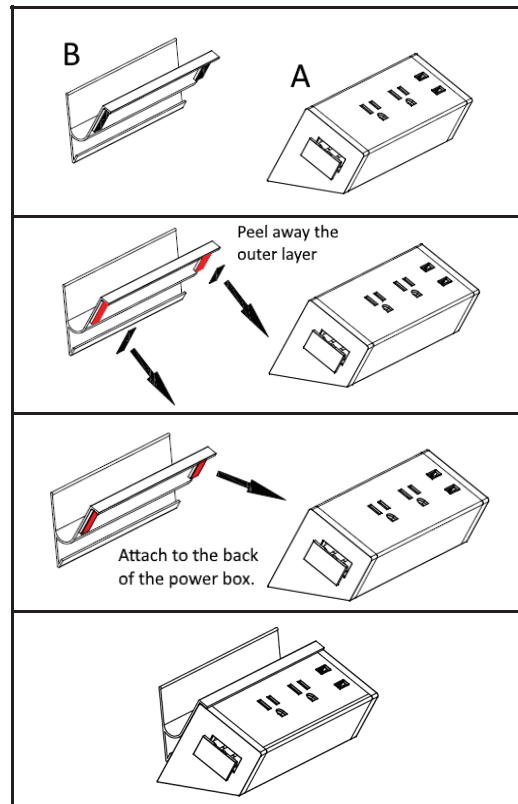
D		x1 set
E		x1 set
F		x1 set

INSTRUCTIONS:

Clamp mount installation



Cell phone holder installation



⚠ ATTENTION ⚠

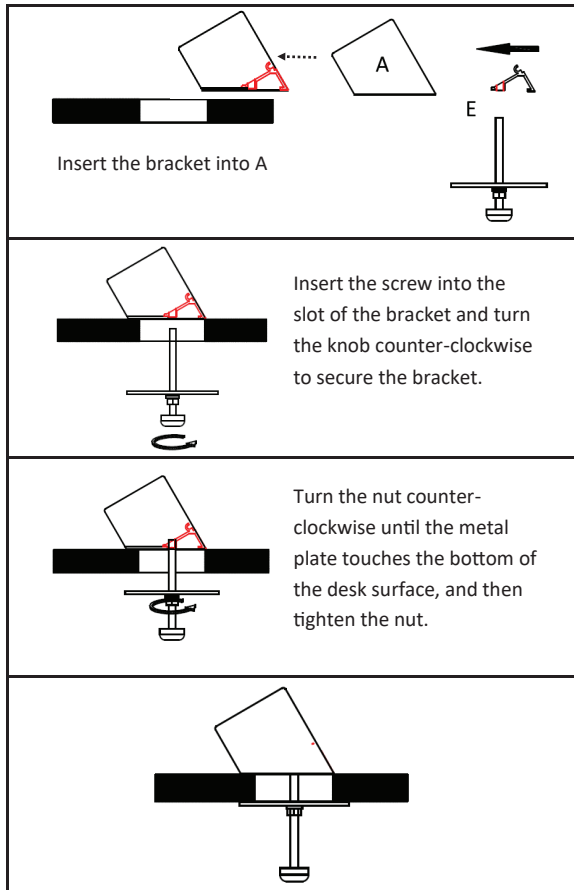
For indoor use only.

Interconnecting more than 4 units together is not recommended. Do not exceed 1440W total, for all connected units.

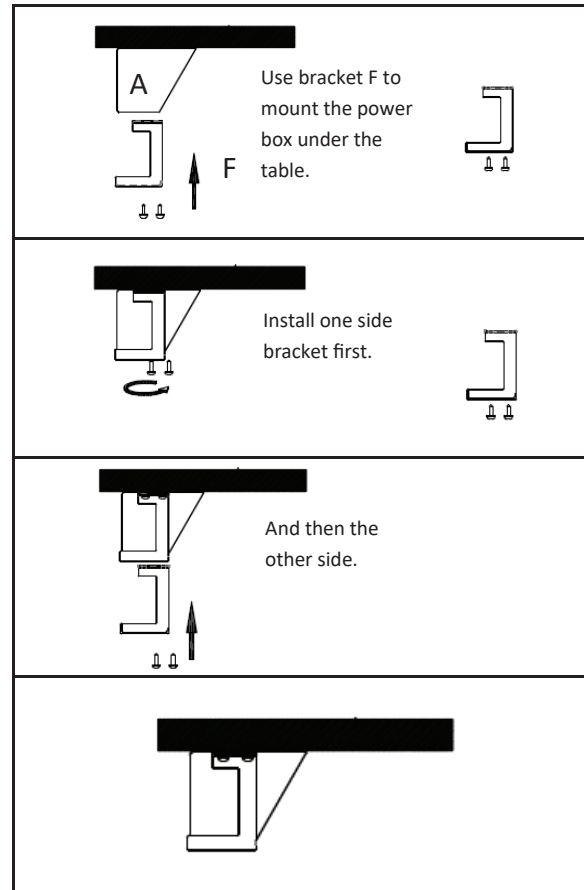
Do not open or dismantle the power box unit. High voltage inside could result in serious electrical shock.

Do not allow the power box to come in contact with water or other liquids. Turn off the power immediately should any spills occur or if the power box comes in contact with any liquids.

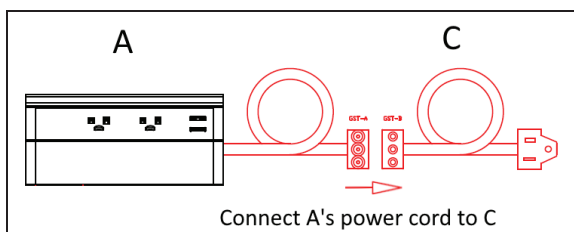
Grommet mount installation



Underneath mount installation



Single Unit connection



Daisy Chain connection

